



Lumeo Deep R4



Description:

Durable airtight aluminum body with etched white PMMA diffuser lens for low glare. 1%-100% dimming capability. This general application light fixture features a 9/12 watt LED module that maintains Uniform intensity producing up to 747 lumens; with a typical CRI of 80/90. The fixture lens provides 100° beam spread Includes two spring loaded clips to attached to any ceiling material

Model: DNLR1211045CLB

Optical:

CCT:	2700 /3000 / 3500 / 4000 / 5000 5CCT
Lumen out put:	765LM @ 9W 1020LM @12W
Lumen Efficacy:	85LM/W
LED Type:	SMD2835
CRI:	80Ra/90Ra

Electrical:

Rated Power:	9W / 12W
Input voltage:	AC120V / 60Hz
Beam angle:	100°
Power factor/THD/PE:	>90% /<30 /70%

Life:

Lifespan:	50,000 Hrs.
Warranty:	2 Years

General:

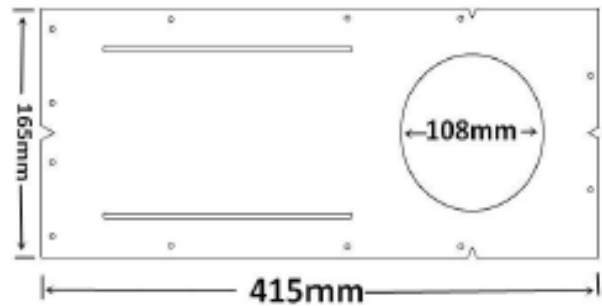
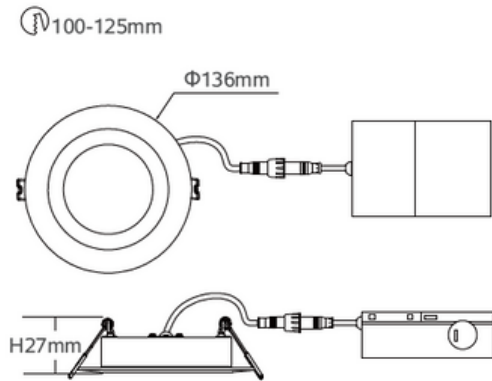
Dimmable Solution:	Triac
IP:	IP44
Operating temperature:	-20C~+40C
Storage temperature:	-40C~+85C
Finish color Availability:	White
Certification:	cETLus





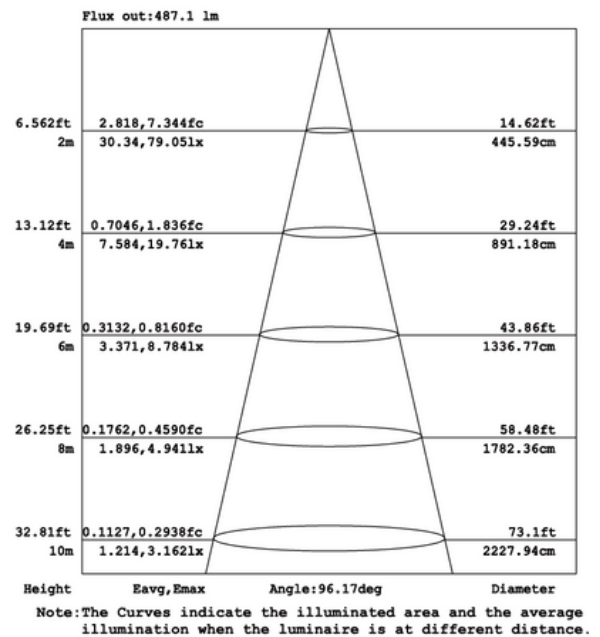
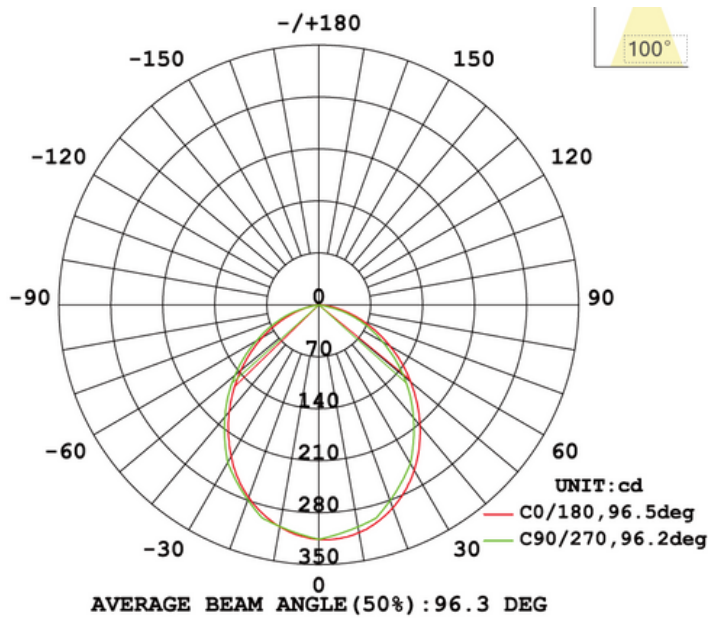
Lumeo Deep R4"

PRODUCT SIZE:



POLAR CURVES WIDE DISTRIBUTION

AVERAGE AND CENTER E FIGURE





Lumeo Deep R4

INSTALLATION PROCESS:

Fig.1

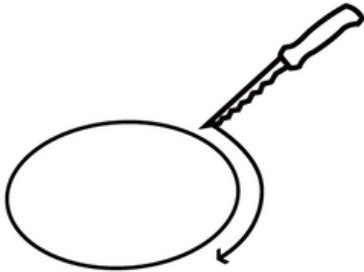


Fig.2

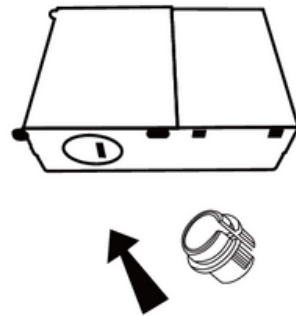


Fig.3

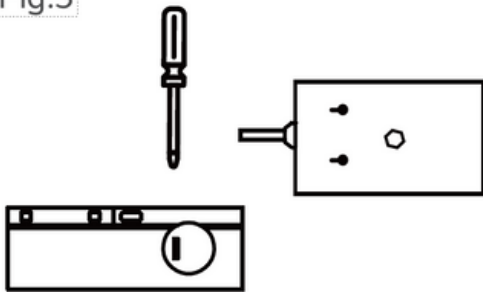


Fig.4

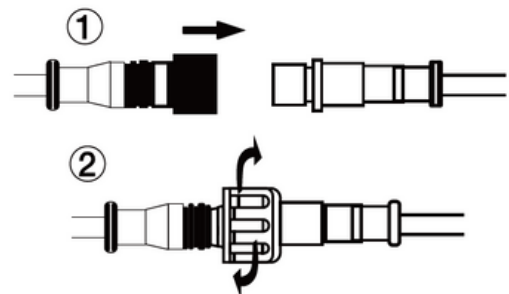


Fig.5

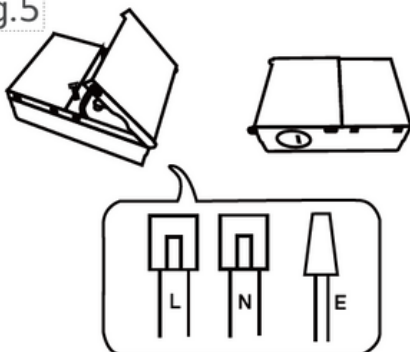


Fig.6

