



**LumaFlex Gimbal 445R**



**Description:**

This Gimbal Downlight is a 9 watt 4" lighting fixture for recess retrofit application. It is a high-performance, easy to install residential grade downlight solution that offers good light output, energy efficiency and stream lined design, Suitable for wet and damp locations.

**Model: DNLG0911045CWHL P**



**Optical:**

CCT:	5CCT Tunable
Lumen out put:	720LM
Lumen Efficacy:	80LM/W
LED Type:	COB
CRI:	≥80

**Electrical:**

Rated Power:	9W
Input voltage:	100-130V 60HZ
Beam angle:	36°

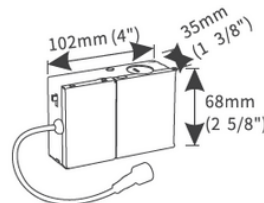
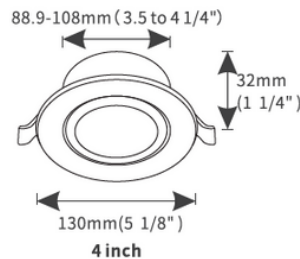


**Life:**

Lifespan :	50,000 Hours
Warranty:	2 years

**General:**

Dimmable Solution:	5%-100% dimming capability
IP:	IP44
Operating temperature:	-40°C~40°C(-4°F~105°F)
Finish color Availability:	White, Black
Certification:	ETL, Energy Star
Type:	IC

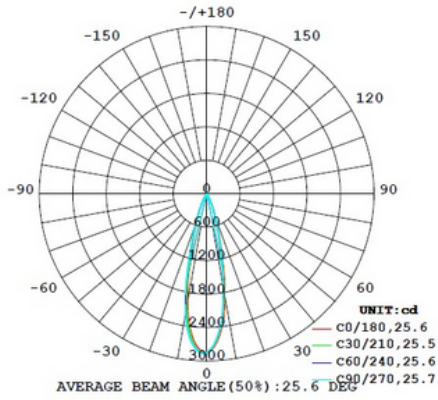




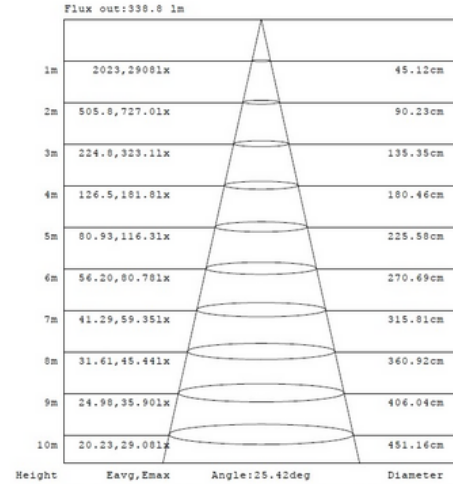
### LumaFlex Gimbal 445R



#### PHOTOMETRY

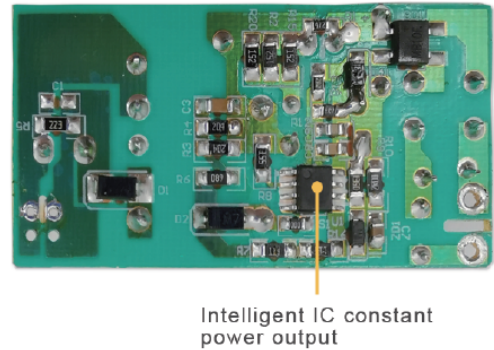
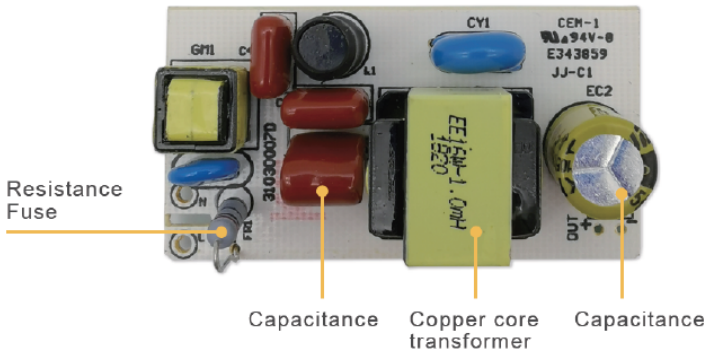


Luminous Intensity Distribution Diagram - At 3000K:



Note: The Curves Indicate the illuminated Area and the Average illumination When the Luminaire is a Different Distance At 3000K

#### LED DRIVER



#### INSTALLATION

